


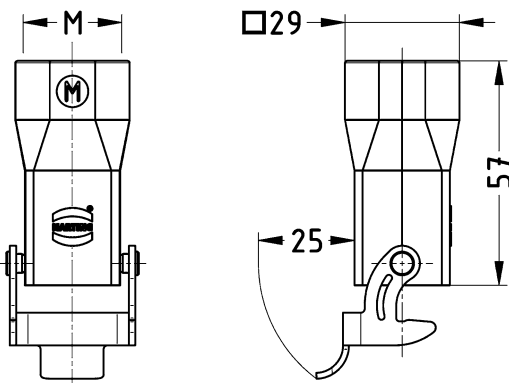




Features

- With M25 cable entry for big cable diameters
- Compatible with inserts size Han® 3 A
- Available in standard, Han® EMC and Han® M version

Technical characteristics

Material	zinc die-cast
Surface standard version	powder-coated RAL 7037 (grey)
Material locking lever	steel zinc-plated
Surface Han® EMC version	non coated electrically conductive
Material locking lever	steel zinc-plated
Surface Han® M version	powder-coated RAL 9005 (black)
Material locking lever	stainless steel
Limiting temperatures	-40 °C ... 125 °C
Degree of protection acc. to EN 60 529 in locked position	IP44 IP65 / IP67 is achieved by usage of sealing screw 09 20 0009918
Cable entry	M25

Identification	Part number	Cable entry		Dimensions in mm
		metric	Drawing	
Cable to cable hood Han® 3 A standard hood 	19 20 003 1755	M25		
Cable to cable hood Han® 3 M 	19 37 003 1755	M25		
Cable to cable hood Han® 3 EMC 	19 62 003 1755	M25		